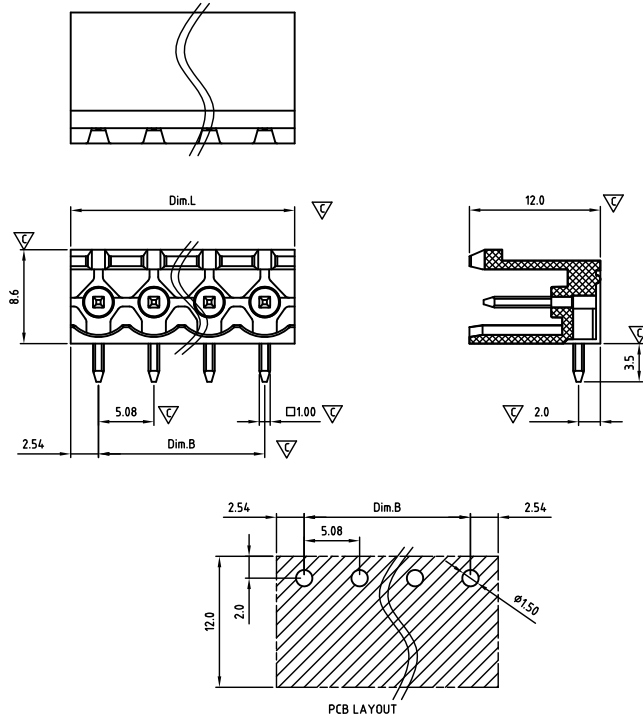




CAHAAH508-SERIES

cULus E501953



Critical dimension: ∇

Dim.L=Px5.08

Dim.B=(P-1)x5.08

P=Number of poles (02-24)

	Dim B	Dim L
0-30mm	+/- 0,15	+/- 0,20
over 30-60mm	+/- 0,20	+/- 0,25
over 60-90mm	+/- 0,25	+/- 0,30
over 90mm	+/- 0,30	+/- 0,40

Tolerance	
x.	+/- 0,50
x.x	+/- 0,30
x.xx	+/- 0,10
x°	+/-1°
\varnothing	Units:mm

Technical data

Technical data in accordance with UL/CUL

	Use Group	B	C	D
Nominal voltage (V)		300	-	300
Nominal current (A)		15	-	10
Connection capacity(AWG)		-	-	-

Technical data in accordance with IEC and VDE

Rated insulation voltage at pollution degree 2 (V)		320		
Rated current/conductor cross-section (A/mm ²)		12 / -		
Solid/stranded(mm ²)		-		
Surge voltage category/pollution degree	III / 3	III / 2	II / 2	
Rated insulation voltage(V)	250	320	400	
Rated surge voltage(kV)	4	4	4	

General data

Flange nut thread		-
Flange nut tightening torque(Nm)		-
Insulation Withstanding Voltage		AC 1600 / 1min
Insulation Resistance		1000M Ω or more at DC500V
Using temperature range		-40°C-115°C
Soldering temperature		250 \pm 5°C/5s

Materials

Insulation material group		PA 66 I UL94 -V0
PIN		Copper, Tin plated
Flange nut		-
Borehole diameter/pin dimensions(mm)		1.6/1 *1

Packing information

Poles	Order Number	SPQ
2	CAHAAH50802x000	600
3	CAHAAH50803x000	400
4	CAHAAH50804x000	300
5	CAHAAH50805x000	260
6	CAHAAH50806x000	240
7	CAHAAH50807x000	240
8	CAHAAH50808x000	240
9	CAHAAH50809x000	240
10	CAHAAH50810x000	200
11	CAHAAH50811x000	180
12	CAHAAH50812x000	180
13	CAHAAH50813x000	120
14	CAHAAH50814x000	120
15	CAHAAH50815x000	120
16	CAHAAH50816x000	120
17	CAHAAH50817x000	120
18	CAHAAH50818x000	80
19	CAHAAH50819x000	75
20	CAHAAH50820x000	75
21	CAHAAH50821x000	65
22	CAHAAH50822x000	65
23	CAHAAH50823x000	65
24	CAHAAH50824x000	65

Ordering code

CAHAAH 508 xx x xxx

① ② ③ ④ ⑤ ⑥

- ① Type
- ② Product style
- ③ Pitch
- ④ Poles (02-24)
- ⑤ Color
- ⑥ Standard 000 or Custom XXX

Color

0 Black	5 Green
1 Brown	6 Blue
2 Red	G Pale grey
3 Orange	8 Dark grey
4 Yellow	9 White

Key Commercial data

Custom tariff number	8536901000
Country of origin	CN (China)

Mating with headers

CAMAS T/D 508 Series



CAMBS R/W 508 Series



CAMCSD508 Series



CAMESO508 Series



CAPAS T/D 508 Series



CAPCSD 508 Series

