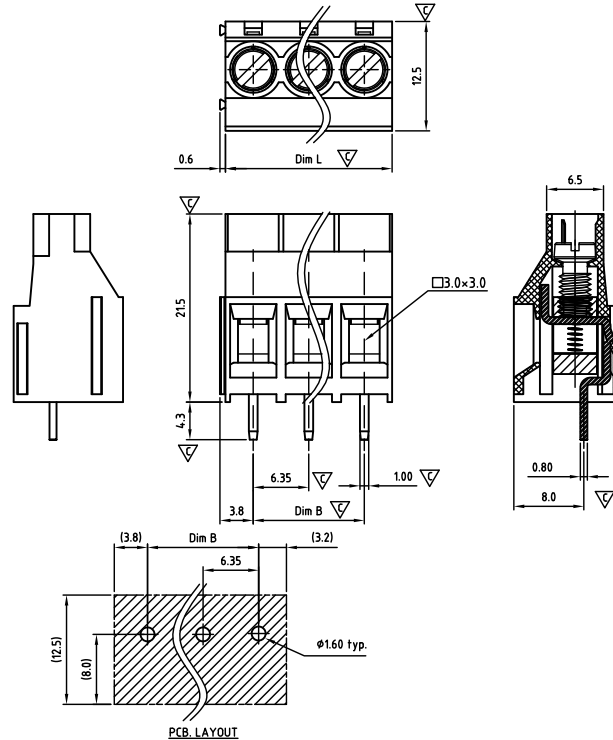


CAFMMH635-SERIES

cULus E501953



Critical dimension: ∇

Dim.L=Px6.35		
Dim.B=(P-1)x6.35		
P=Number of poles (02-16)		
	Dim B	Dim L
0-30mm	+/- 0,15	+/- 0,20
over 30-60mm	+/- 0,20	+/- 0,25
over 60-90mm	+/- 0,25	+/- 0,30
over 90mm	+/- 0,30	+/- 0,40

Tolerance	
x.	+/- 0,50
x.x	+/- 0,30
x.xx	+/- 0,10
x°	+/- 1°
ϕ	Units:mm

Technical data

Technical data in accordance with UL/CUL

	Use Group	B	C	D
Nominal voltage (V)		300	150	300
Nominal current (A)		30	30	10
Connection capacity(AWG)		30-10	30-10	30-10

Technical data in accordance with IEC

Rated insulation voltage at pollution degree 2 (V)	630		
Rated current/conductor cross-section (A/mm ²)	32 / 4		
Solid/stranded(mm ²)	0.2-4 / 0.2-4		
Surge voltage category/pollution degree	III / 3	III / 2	II / 2
Rated insulation voltage(V)	500	630	1000
Rated surge voltage(kV)	6	6	6

General data

Stripping length(mm)	7-8
Screw thread	M3.5
Tightening torque(Nm)	0.5-0.8
Insulation Withstanding Voltage	AC 1600 / 1min
Insulation Resistance	1000M Ω or more at DC500V
Using temperature range	-40°C-115°C

Materials

Insulation material group	PA 66 I UL94 -V0
Contact	Brass, Tin plated
Cage	Brass, Ni plated
Screw	Steel, Zn plated

Packing information

Poles	Order Number	SPQ
2	CAFMMH63502x000	215
3	CAFMMH63503x000	140
4	CAFMMH63504x000	105
5	CAFMMH63505x000	120
6	CAFMMH63506x000	100
7	CAFMMH63507x000	80
8	CAFMMH63508x000	60
9	CAFMMH63509x000	60
10	CAFMMH63510x000	60
11	CAFMMH63511x000	40
12	CAFMMH63512x000	40
13	CAFMMH63513x000	40
14	CAFMMH63514x000	40
15	CAFMMH63515x000	40
16	CAFMMH63516x000	30

Ordering code

CAFM HM 635 xx x xxx

① ② ③ ④ ⑤ ⑥

- ① Type
- ② Product style
- ③ Pitch
- ④ Poles (02-16)
- ⑤ Color
- ⑥ Standard 000 or Custom XXX

Color

0 Black	5 Green
1 Brown	6 Blue
2 Red	G Pale grey
3 Orange	8 Dark grey
4 Yellow	9 White

Key Commercial data

Custom tariff number	8536901100
Country of origin	CN (China)

