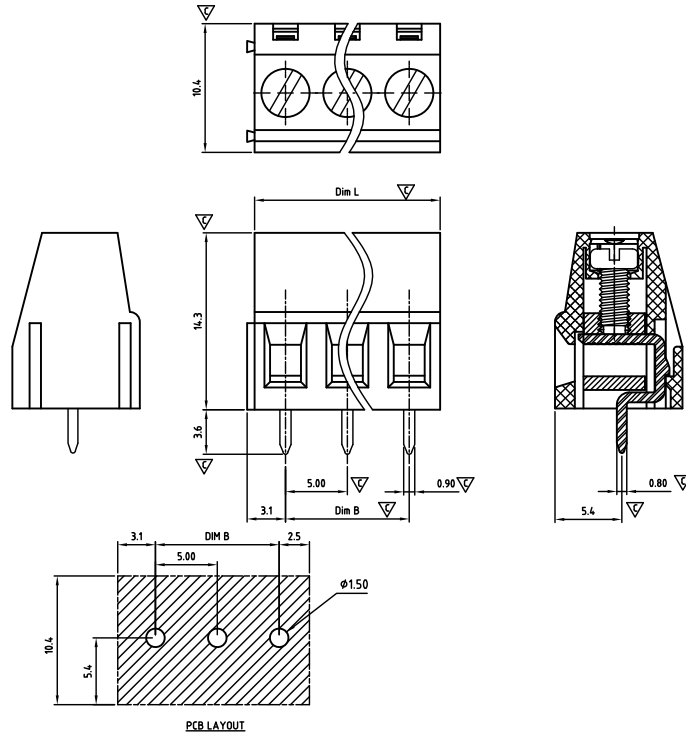




**CAEKHS500-SERIES**

**cULus** E501953



Critical dimension: ▽

Dim.L=Px5.0		
Dim.B=(P-1)x5.0		
P=Number of poles (02-24)		
	Dim B	Dim L
0-30mm	+/- 0,15	+/- 0,20
over 30-60mm	+/- 0,20	+/- 0,25
over 60-90mm	+/- 0,25	+/- 0,30
over 90mm	+/- 0,30	+/- 0,40

Tolerance	
x.	+/- 0,50
x.x	+/- 0,30
x.xx	+/- 0,10
x°	+/-1°
Units:mm	

**Technical data**

Technical data in accordance with UL/CUL

	Use Group	B	C	D
Nominal voltage (V)	300	-	-	-
Nominal current (A)	15	-	-	-
Connection capacity(AWG)	30-12	-	-	-

Technical data in accordance with IEC

Rated insulation voltage at pollution degree 2 (V)	400		
Rated current/conductor cross-section (A/mm <sup>2</sup> )	17.5 / 2.5		
Solid/stranded(mm <sup>2</sup> )	0.14-2.5 / 0.14-2.5		
Surge voltage category/pollution degree	III / 3	III / 2	II / 2
Rated insulation voltage(V)	250	400	630
Rated surge voltage(kV)	4	4	4

General data

Stripping length(mm)	6-7
Screw thread	M2.5
Tightening torque(Nm)	0.40-0.45
Insulation Withstanding Voltage	AC 1600 / 1min
Insulation Resistance	1000MΩ or more at DC500V
Using temperature range	-40°C-115°C

Materials

Insulation material group	PA 66 I UL94 -V0
Contact	Brass, Tin plated
Cage	Brass, Ni plated
Screw	Steel, Zn plated

**Packing information**

Poles	Order Number	SPQ
2	CAEKHS50002x000	400
3	CAEKHS50003x000	250
4	CAEKHS50004x000	200
5	CAEKHS50005x000	160
6	CAEKHS50006x000	128
7	CAEKHS50007x000	105
8	CAEKHS50008x000	105
9	CAEKHS50009x000	70
10	CAEKHS50010x000	70
11	CAEKHS50011x000	70
12	CAEKHS50012x000	70
13	CAEKHS50013x000	35
14	CAEKHS50014x000	35
15	CAEKHS50015x000	35
16	CAEKHS50016x000	35
17	CAEKHS50017x000	35
18	CAEKHS50018x000	35
19	CAEKHS50019x000	35
20	CAEKHS50020x000	35
21	CAEKHS50021x000	35
22	CAEKHS50022x000	35
23	CAEKHS50023x000	35
24	CAEKHS50024x000	

**Ordering code**

**CAEK HS 500 xx x xxx**

① ② ③ ④ ⑤ ⑥

- ① Type
- ② Product style
- ③ Pitch
- ④ Poles (02-24)
- ⑤ Color
- ⑥ Standard 000 or Custom XXX

Color

0 Black	5 Green
1 Brown	6 Blue
2 Red	G Pale grey
3 Orange	8 Dark grey
4 Yellow	9 White

**Key Commercial data**

Custom tariff number	8536901100
Country of origin	CN (China)

