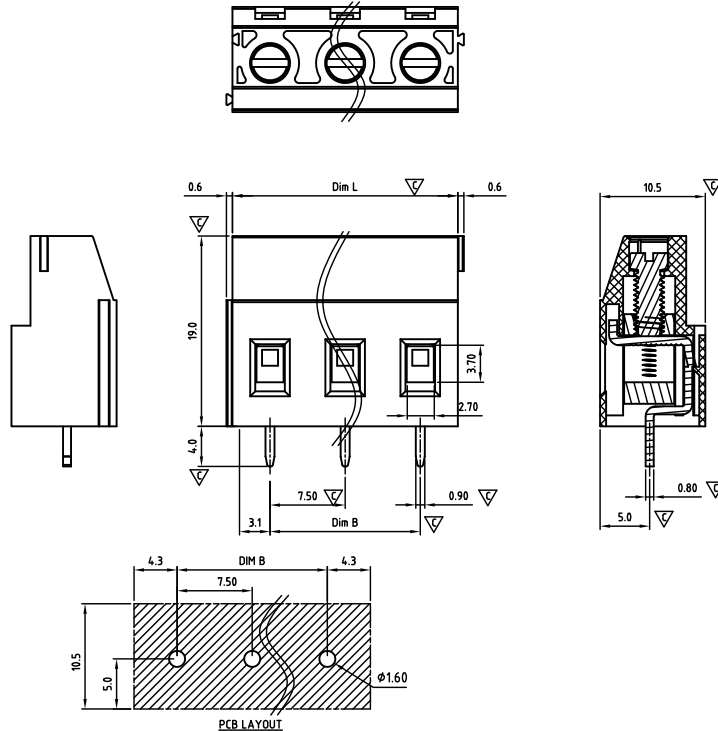




CAEJHM750-SERIES

cULus E501953



Critical dimension: ∇

Dim.L=Px7.5		
Dim.B=(P-1)x7.5		
P=Number of poles (02-16)		
	Dim B	Dim L
0-30mm	+/- 0,15	+/- 0,20
over 30-60mm	+/- 0,20	+/- 0,25
over 60-90mm	+/- 0,25	+/- 0,30
over 90mm	+/- 0,30	+/- 0,40

Tolerance	
x.	+/- 0,50
x.x	+/- 0,30
x.xx	+/- 0,10
x°	+/-1°
\varnothing	Units:mm

Technical data

Technical data in accordance with UL/CUL

	Use Group	B	C	D
Nominal voltage (V)	300	-	-	300
Nominal current (A)	20	-	-	10
Connection capacity(AWG)	30-12	-	-	30-12

Technical data in accordance with IEC

Rated insulation voltage at pollution degree 2 (V)	630		
Rated current/conductor cross-section (A/mm ²)	24 / 2.5		
Solid/stranded(mm ²)	0.2-4 / 0.2-2.5		
Surge voltage category/pollution degree	III / 3	III / 2	II / 2
Rated insulation voltage(V)	600	630	1000
Rated surge voltage(kV)	6	6	6

General data

Stripping length(mm)	7-8
Screw thread	M3.0
Tightening torque(Nm)	0.5-0.6
Insulation Withstanding Voltage	AC 1600 / 1min
Insulation Resistance	1000M Ω or more at DC500V
Using temperature range	-40°C-115°C

Materials

Insulation material group	PA 66 I UL94 -V0
Contact	Brass, Tin plated
Cage	Brass, Ni plated
Screw	Steel, Zn plated

Packing information

Poles	Order Number	SPQ
2	CAEJHM75002x000	420
3	CAEJHM75003x000	270
4	CAEJHM75004x000	270
5	CAEJHM75005x000	175
6	CAEJHM75006x000	150
7	CAEJHM75007x000	120
8	CAEJHM75008x000	100
9	CAEJHM75009x000	100
10	CAEJHM75010x000	75
11	CAEJHM75011x000	75
12	CAEJHM75012x000	75
13	CAEJHM75013x000	50
14	CAEJHM75014x000	50
15	CAEJHM75015x000	50
16	CAEJHM75016x000	50

Ordering code

CAEJ HM 750 xx x xxx

① ② ③ ④ ⑤ ⑥

- ① Type
- ② Product style
- ③ Pitch
- ④ Poles (02-16)
- ⑤ Color
- ⑥ Standard 000 or Custom XXX

Color

0 Black	5 Green
1 Brown	6 Blue
2 Red	G Pale grey
3 Orange	8 Dark grey
4 Yellow	9 White

Key Commercial data

Custom tariff number	8536901100
Country of origin	CN (China)

