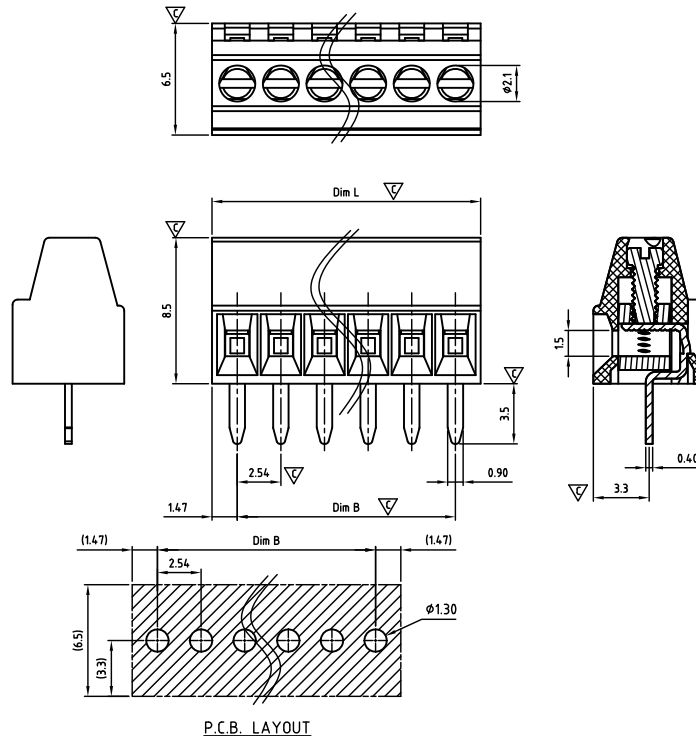




## CAEAHS254-SERIES

cULus E501953



Critical dimension: ▽

Dim.L=Px2.54+0.4

Dim.B=(P-1)x2.54

P=Number of poles (02-24)

	Dim B	Dim L
0-30mm	+/- 0,15	+/- 0,20
over 30-60mm	+/- 0,20	+/- 0,25
over 60-90mm	+/- 0,25	+/- 0,30
over 90mm	+/- 0,30	+/- 0,40

Tolerance	
x.	+/- 0,50
x.x	+/- 0,30
x.xx	+/- 0,10
x°	+/- 1°
Units:mm	

### Technical data

Technical data in accordance with UL/CUL

	Use Group	B	C	D
Nominal voltage (V)	150	-	-	-
Nominal current (A)	6	-	-	-
Connection capacity (AWG)	30-18	-	-	-

Technical data in accordance with IEC

Rated insulation voltage at pollution degree 2 (V)	160
Rated current/conductor cross-section (A/mm <sup>2</sup> )	6 / 0.5
Solid/stranded(mm <sup>2</sup> )	0.14-0.5 / 0.14-0.5
Surge voltage category/pollution degree	III / 3 III / 2 II / 2
Rated insulation voltage(V)	63 160 320
Rated surge voltage(kV)	1.5 1.5 2.5

General data

Stripping length(mm)	4-5
Screw thread	M1.6
Tightening torque(Nm)	0.12-0.15
Insulation Withstanding Voltage	AC 1300 / 1min
Insulation Resistance	1000MΩ or more at DC500V
Using temperature range	-40°C-115°C

Materials

Insulation material group	PA 66 I UL94 -V0
Contact	Brass, Tin plated
Cage	Brass, Ni plated
Screw	Steel, Zn plated

### Packing information

Poles	Order Number	SPQ
2	CAEAHS25402x000	2500
3	CAEAHS25403x000	1500
4	CAEAHS25404x000	1050
5	CAEAHS25405x000	810
6	CAEAHS25406x000	750
7	CAEAHS25407x000	595
8	CAEAHS25408x000	595
9	CAEAHS25409x000	588
10	CAEAHS25410x000	588
11	CAEAHS25411x000	360
12	CAEAHS25412x000	360
13	CAEAHS25413x000	330
14	CAEAHS25414x000	295
15	CAEAHS25415x000	270
16	CAEAHS25416x000	270
17	CAEAHS25417x000	240
18	CAEAHS25418x000	220
19	CAEAHS25419x000	220
20	CAEAHS25420x000	220
21	CAEAHS25421x000	195
22	CAEAHS25422x000	180
23	CAEAHS25423x000	180
24	CAEAHS25424x000	180

### Ordering code

CAEA HS 254 xx x xxx

① ② ③ ④ ⑤ ⑥

- ① Type
- ② Product style
- ③ Pitch
- ④ Poles (02-24)
- ⑤ Color
- ⑥ Standard 000 or Custom XXX

Color

0 Black	5 Green
1 Brown	6 Blue
2 Red	G Pale grey
3 Orange	8 Dark grey
4 Yellow	9 White

### Key Commercial data

Custom tariff number	8536901100
Country of origin	CN (China)

