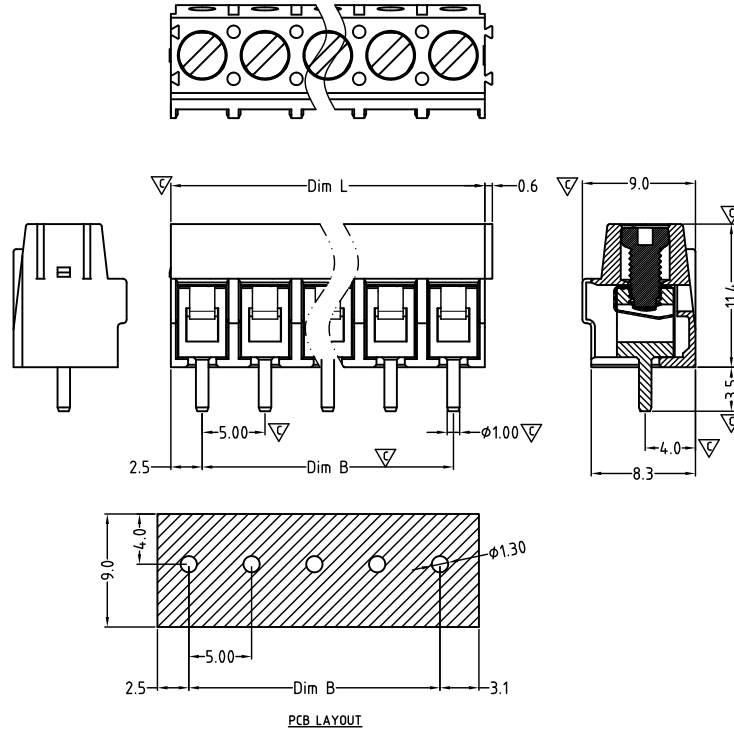


CADJHM500-180D SERIES

cULus E501953



Critical dimension: ▽

	Dim B	Dim L
0-30mm	+/- 0,15	+/- 0,20
over 30-60mm	+/- 0,20	+/- 0,25
over 60-90mm	+/- 0,25	+/- 0,30
over 90mm	+/- 0,30	+/- 0,40

Tolerance	
x.	+/- 0,50
x.x	+/- 0,30
x.xx	+/- 0,10
x°	+/- 1°

Units:mm

Technical data

Technical data in accordance with UL/cUL

	Use Group	B	C	D
Nominal voltage (V)		300	-	-
Nominal current (A)		15	-	-
Connection capacity (AWG)		24-12	-	-

Technical data in accordance with IEC and VDE

Rated insulation voltage at pollution degree 2 (V)	320		
Rated current/conductor cross-section (A/mm ²)	17.5 / 2.5		
Solid/stranded(mm ²)	0.2-2.5 / 0.2-2.5		
Surge voltage category/pollution degree	III / 3	III / 2	II / 2
Rated insulation voltage(V)	250	320	630
Rated surge voltage(kV)	4	4	4

General data

Stripping length(mm)	5-6
Screw thread	M2.6
Tightening torque(Nm)	0.4
Insulation Withstanding Voltage	AC 1600 / 1min
Insulation Resistance	1000MΩ or more at DC500V
Using temperature range	-40°C-115°C

Materials

Insulation material group	PA 66 I UL94 -V0
Wire guard	Stainless steel
Cage	Brass, Sn plated
Screw	Steel, Zn plated

Packing information

Poles	Order Number	SPQ
2	CADJHM50002x000	600
3	CADJHM50003x000	400
4	CADJHM50004x000	300
5	CADJHM50005x000	280
6	CADJHM50006x000	240
7	CADJHM50007x000	200
8	CADJHM50008x000	160
9	CADJHM50009x000	160
10	CADJHM50010x000	120
11	CADJHM50011x000	120
12	CADJHM50012x000	120
13	CADJHM50013x000	120
14	CADJHM50014x000	80
15	CADJHM50015x000	80
16	CADJHM50016x000	80
17	CADJHM50017x000	80
18	CADJHM50018x000	80
19	CADJHM50019x000	80
20	CADJHM50020x000	80
21	CADJHM50021x000	40
22	CADJHM50022x000	40
23	CADJHM50023x000	40
24	CADJHM50024x000	40

Ordering code

CADJ HM 500 xx x xxx
① ② ③ ④ ⑤ ⑥

- ① Type
- ② Product style
- ③ Pitch
- ④ Poles (02-24)
- ⑤ Color
- ⑥ Standard 000 or Custom XXX

Color

0 Black	5 Green
1 Brown	6 Blue
2 Red	G Pale grey
3 Orange	8 Dark grey
4 Yellow	9 White

Key Commercial data

Custom tariff number	8536901100
Country of origin	CN (China)

