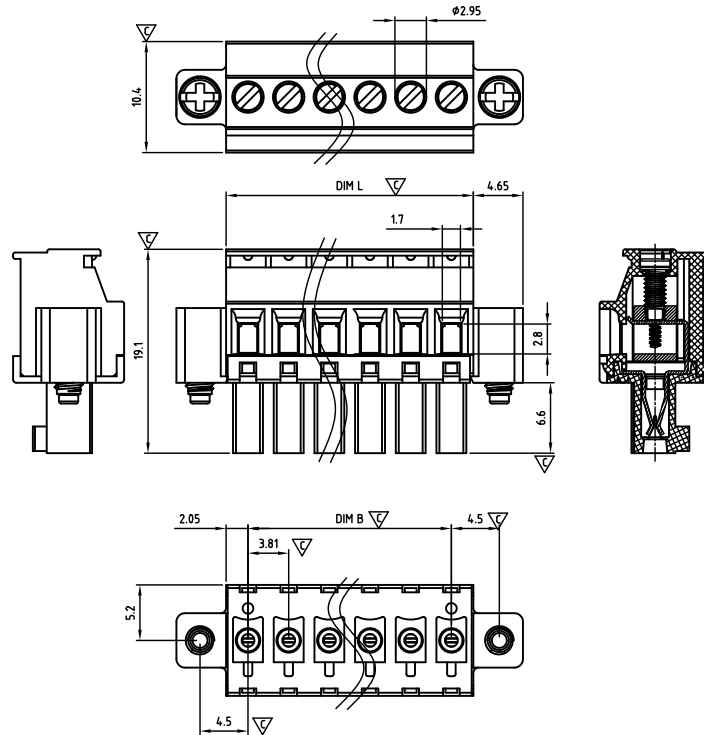




CAMBFW381-SERIES

cULus E501953



Critical dimension: ▽

Dim.L=Px3.81+0.3

Dim.B=(P-1)x3.81

P=Number of poles (02-24)

	Dim B	Dim L
0-30mm	+/- 0,15	+/- 0,20
over 30-60mm	+/- 0,20	+/- 0,25
over 60-90mm	+/- 0,25	+/- 0,30
over 90mm	+/- 0,30	+/- 0,40

Tolerance	
x.	+/- 0,50
x.x	+/- 0,30
x.xx	+/- 0,10
x°	+/- 1°
Units:mm	

Technical data

Technical data in accordance with UL/CUL

	Use Group	B	C	D
Nominal voltage (V)		300	-	300
Nominal current (A)		8	-	8
Connection capacity(AWG)		30-16	-	30-16

Technical data in accordance with IEC

Rated insulation voltage at pollution degree 2 (V)	160		
Rated current/conductor cross-section (A/mm ²)	8 / 1.5		
Solid/stranded(mm ²)	0.14-1.5 / 0.14-1.5		
Surge voltage category/pollution degree	III / 3	III / 2	II / 2
Rated insulation voltage(V)	160	160	320
Rated surge voltage(kV)	2.5	2.5	2.5

General data

Stripping length(mm)	6-7
Screw thread	M2
Tightening torque(Nm)	0.20-0.25
Insulation Withstanding Voltage	AC1600V / 1min
Insulation Resistance	1000MΩ or more at DC500V
Using temperature range	-40°C-115°C

Materials

Insulation material group	PA 66 I UL94 -V0
Wire guard	PhBz, Tin plated
Cage	Brass, Ni plated
Screw	Steel, Zn plated

Packing information

Poles	Order Number	SPQ
2	CAMBFW38102x000	300
3	CAMBFW38103x000	240
4	CAMBFW38104x000	180
5	CAMBFW38105x000	160
6	CAMBFW38106x000	140
7	CAMBFW38107x000	120
8	CAMBFW38108x000	120
9	CAMBFW38109x000	95
10	CAMBFW38110x000	95
11	CAMBFW38111x000	90
12	CAMBFW38112x000	80
13	CAMBFW38113x000	80
14	CAMBFW38114x000	75
15	CAMBFW38115x000	70
16	CAMBFW38116x000	60
17	CAMBFW38117x000	55
18	CAMBFW38118x000	55
19	CAMBFW38119x000	55
20	CAMBFW38120x000	48
21	CAMBFW38121x000	48
22	CAMBFW38122x000	48
23	CAMBFW38123x000	48
24	CAMBFW38124x000	48

Ordering code

CAMB FW 381 xx x xxx

① ② ③ ④ ⑤ ⑥

- ① Type
- ② Product style
- ③ Pitch
- ④ Poles (02-24)
- ⑤ Color
- ⑥ Standard 000 or Custom XXX

Color

0 Black	5 Green
1 Brown	6 Blue
2 Red	G Pale grey
3 Orange	8 Dark grey
4 Yellow	9 White

Key Commercial data

Custom tariff number	8536901000
Country of origin	CN (China)

Mating with headers

CAHACH381 Series



CAHACV381 Series



CAHAFH381 Series



CAHAFV381 Series



CAHECV381 Series

