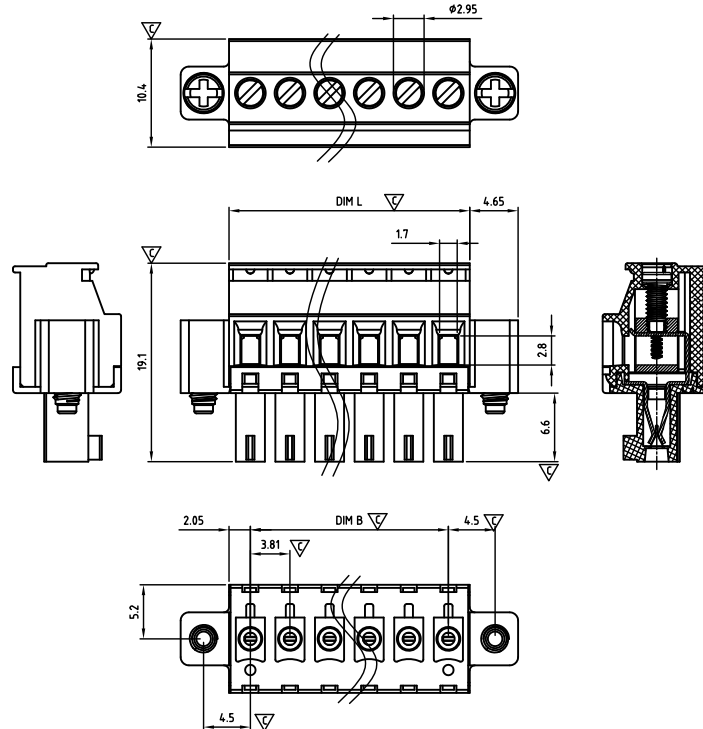




**CAMBFR381-SERIES**

**cULus** E501953



Critical dimension:  $\nabla$

Dim.L=Px3.81+0.3		
Dim.B=(P-1)x3.81		
P=Number of poles (02-24)		
	Dim B	Dim L
0-30mm	+/- 0,15	+/- 0,20
over 30-60mm	+/- 0,20	+/- 0,25
over 60-90mm	+/- 0,25	+/- 0,30
over 90mm	+/- 0,30	+/- 0,40

Tolerance	
x.	+/- 0,50
x.x	+/- 0,30
x.xx	+/- 0,10
x°	+/- 1°
	Units:mm

**Technical data**

Technical data in accordance with UL/cUL

	Use Group	B	C	D
Nominal voltage (V)		300	-	300
Nominal current (A)		8	-	8
Connection capacity(AWG)		30-16	-	30-16

Technical data in accordance with IEC and VDE

Rated insulation voltage at pollution degree 2 (V)	160		
Rated current/conductor cross-section (A/mm <sup>2</sup> )	8 / 1.5		
Solid/stranded(mm <sup>2</sup> )	0.14-1.5 / 0.14-1.5		
Surge voltage category/pollution degree	III / 3	III / 2	II / 2
Rated insulation voltage(V)	160	160	320
Rated surge voltage(kV)	2.5	2.5	2.5

General data

Stripping length(mm)	6-7
Screw thread	M2
Tightening torque(Nm)	0.20-0.25
Insulation Withstanding Voltage	AC1600V / 1min
Insulation Resistance	1000M $\Omega$ or more at DC500V
Using temperature range	-40°C-115°C

Materials

Insulation material group	PA 66 I UL94 -V0
Wire guard	PhBz, Tin plated
Cage	Brass, Ni plated
Screw	Steel, Zn plated

**Packing information**

Poles	Order Number	SPQ
2	CAMBFR38102x000	300
3	CAMBFR38103x000	240
4	CAMBFR38104x000	180
5	CAMBFR38105x000	160
6	CAMBFR38106x000	140
7	CAMBFR38107x000	120
8	CAMBFR38108x000	120
9	CAMBFR38109x000	95
10	CAMBFR38110x000	95
11	CAMBFR38111x000	90
12	CAMBFR38112x000	80
13	CAMBFR38113x000	80
14	CAMBFR38114x000	75
15	CAMBFR38115x000	70
16	CAMBFR38116x000	60
17	CAMBFR38117x000	55
18	CAMBFR38118x000	55
19	CAMBFR38119x000	55
20	CAMBFR38120x000	48
21	CAMBFR38121x000	48
22	CAMBFR38122x000	48
23	CAMBFR38123x000	48
24	CAMBFR38124x000	48

**Ordering code**

**CAMB FR 381 xx x xxx**  
① ② ③ ④ ⑤ ⑥

- ① Type
- ② Product style
- ③ Pitch
- ④ Poles (02-24)
- ⑤ Color
- ⑥ Standard 000 or Custom XXX

Color

0 Black	5 Green
1 Brown	6 Blue
2 Red	G Pale grey
3 Orange	8 Dark grey
4 Yellow	9 White

**Key Commercial data**

Custom tariff number	8536901000
Country of origin	CN (China)

**Mating with headers**

CAHACH381 Series



CAHACV381 Series



CAHAFH381 Series



CAHAFV381 Series



CAHECV381 Series

