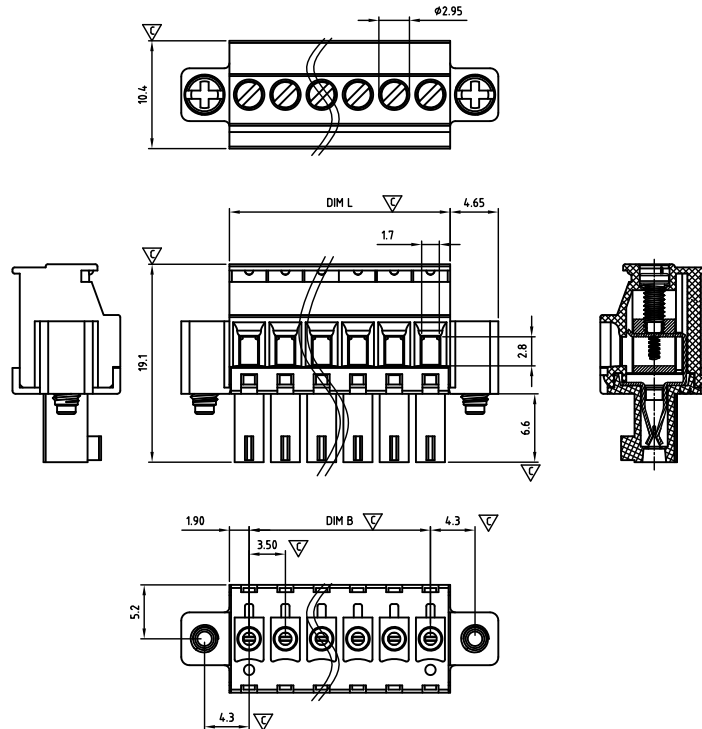




CAMBFR350-SERIES

cULus E501953



Critical dimension: ∇

Dim.L=Px3.5+0.3		
Dim.B=(P-1)x3.5		
P=Number of poles (02-24)		
	Dim B	Dim L
0-30mm	+/- 0,15	+/- 0,20
over 30-60mm	+/- 0,20	+/- 0,25
over 60-90mm	+/- 0,25	+/- 0,30
over 90mm	+/- 0,30	+/- 0,40

Tolerance	
x.	+/- 0,50
x.x	+/- 0,30
x.xx	+/- 0,10
x°	+/- 1°
\varnothing	Units:mm

Technical data

Technical data in accordance with UL/cUL

	Use Group	B	C	D
Nominal voltage (V)		300	-	300
Nominal current (A)		8	-	8
Connection capacity(AWG)		30-16	-	30-16

Technical data in accordance with IEC and VDE

Rated insulation voltage at pollution degree 2 (V)	160		
Rated current/conductor cross-section (A/mm ²)	8 / 1.5		
Solid/stranded(mm ²)	0.14-1.5 / 0.14-1.5		
Surge voltage category/pollution degree	III / 3	III / 2	II / 2
Rated insulation voltage(V)	160	160	320
Rated surge voltage(kV)	2.5	2.5	2.5

General data

Stripping length(mm)	6-7
Screw thread	M2
Tightening torque(Nm)	0.20-0.25
Insulation Withstanding Voltage	AC1600V / 1min
Insulation Resistance	1000M Ω or more at DC500V
Using temperature range	-40°C-115°C

Materials

Insulation material group	PA 66 I UL94 -V0
Wire guard	PhBz, Tin plated
Cage	Brass, Ni plated
Screw	Steel, Zn plated

Packing information

Poles	Order Number	SPQ
2	CAMBFR35002x000	300
3	CAMBFR35003x000	240
4	CAMBFR35004x000	180
5	CAMBFR35005x000	160
6	CAMBFR35006x000	140
7	CAMBFR35007x000	120
8	CAMBFR35008x000	120
9	CAMBFR35009x000	95
10	CAMBFR35010x000	95
11	CAMBFR35011x000	90
12	CAMBFR35012x000	80
13	CAMBFR35013x000	80
14	CAMBFR35014x000	75
15	CAMBFR35015x000	70
16	CAMBFR35016x000	60
17	CAMBFR35017x000	55
18	CAMBFR35018x000	55
19	CAMBFR35019x000	55
20	CAMBFR35020x000	48
21	CAMBFR35021x000	48
22	CAMBFR35022x000	48
23	CAMBFR35023x000	48
24	CAMBFR35024x000	48

Ordering code

CAMB FR 350 xx x xxx
① ② ③ ④ ⑤ ⑥

- ① Type
- ② Product style
- ③ Pitch
- ④ Poles (02-24)
- ⑤ Color
- ⑥ Standard 000 or Custom XXX

Color

0 Black	5 Green
1 Brown	6 Blue
2 Red	G Pale grey
3 Orange	8 Dark grey
4 Yellow	9 White

Key Commercial data

Custom tariff number	8536901000
Country of origin	CN (China)

Mating with headers

CAHACH350 Series



CAHACV350 Series

