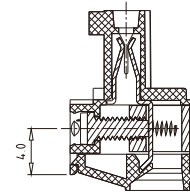
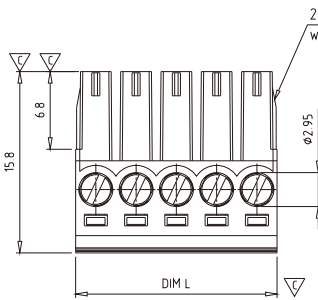
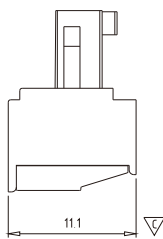
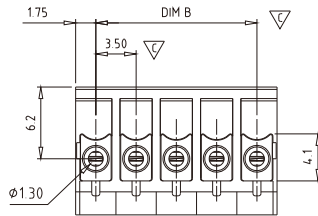


## CAMAST350-SERIES

cULus E501953



2p to 6p with wedge, above 7p without wedge (including 7p)

Critical dimension:  $\nabla$

Dim.L=Px3.5

Dim.B=(P-1)x3.5

P=Number of poles (02-24)

	Dim B	Dim L
0-30mm	+/- 0,15	+/- 0,20
over 30-60mm	+/- 0,20	+/- 0,25
over 60-90mm	+/- 0,25	+/- 0,30
over 90mm	+/- 0,30	+/- 0,40

Tolerance	
x.	+/- 0,50
x.x	+/- 0,30
x.xx	+/- 0,10
x°	+/- 1°

Units:mm

### Technical data

Technical data in accordance with UL/CUL

	Use Group	B	C	D
Nominal voltage (V)		300	-	300
Nominal current (A)		8	-	8
Connection capacity (AWG)		30-16	-	30-16

Technical data in accordance with IEC and VDE

Rated insulation voltage at pollution degree 2 (V)	160		
Rated current/conductor cross-section (A/mm <sup>2</sup> )	8 / 1.5		
Solid/stranded (mm <sup>2</sup> )	0.14-1.5 / 0.14-1.5		
Surge voltage category/pollution degree	III / 3	III / 2	II / 2
Rated insulation voltage (V)	160	160	320
Rated surge voltage (kV)	2.5	2.5	2.5

General data

Stripping length (mm)	6-7
Screw thread	M2
Tightening torque (Nm)	0.20-0.25
Insulation Withstanding Voltage	AC1600V / 1min
Insulation Resistance	1000MΩ or more at DC500V
Using temperature range	-40°C-115°C

Materials

Insulation material group	PA 66 I UL94 -V0
Wire guard	PhBz, Tin plated
Cage	Brass, Ni plated
Screw	Steel, Zn plated

### Packing information

Poles	Order Number	SPQ
2	CAMAST35002x000	650
3	CAMAST35003x000	450
4	CAMAST35004x000	350
5	CAMAST35005x000	280
6	CAMAST35006x000	250
7	CAMAST35007x000	200
8	CAMAST35008x000	165
9	CAMAST35009x000	165
10	CAMAST35010x000	140
11	CAMAST35011x000	140
12	CAMAST35012x000	110
13	CAMAST35013x000	110
14	CAMAST35014x000	110
15	CAMAST35015x000	80
16	CAMAST35016x000	80
17	CAMAST35017x000	80
18	CAMAST35018x000	80
19	CAMAST35019x000	55
20	CAMAST35020x000	55
21	CAMAST35021x000	55
22	CAMAST35022x000	55
23	CAMAST35023x000	55
24	CAMAST35024x000	55

### Ordering code

CAMA ST 350 xx x xxx

① ② ③ ④ ⑤ ⑥

- ① Type
- ② Product style
- ③ Pitch
- ④ Poles (02-24)
- ⑤ Color
- ⑥ Standard 000 or Custom XXX

Color

0 Black	5 Green
1 Brown	6 Blue
2 Red	G Pale grey
3 Orange	8 Dark grey
4 Yellow	9 White

### Key Commercial data

Custom tariff number	8536901000
Country of origin	CN (China)

### Mating with headers

CAHABH350 Series



CAHABV350 Series

