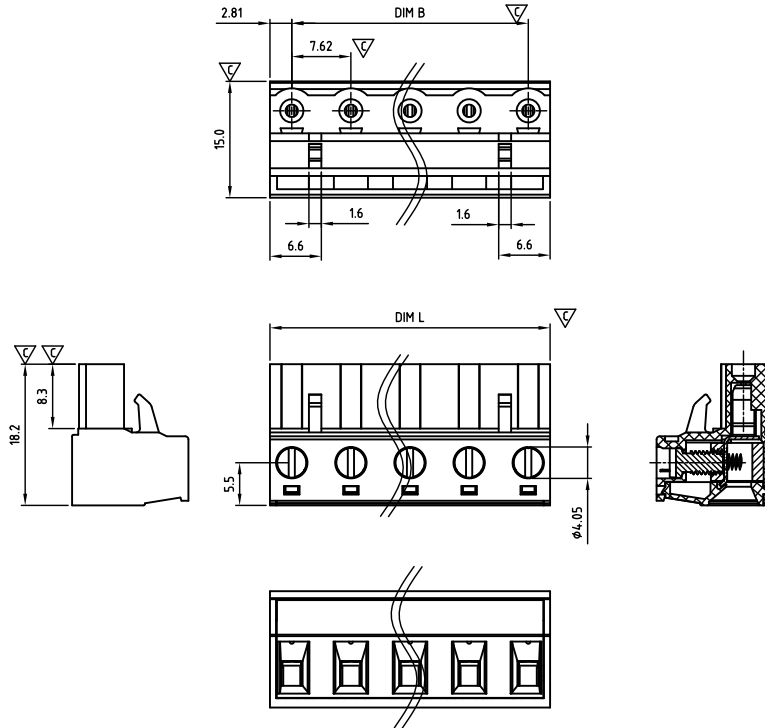




**CAMASD762-SERIES**

**cULus** E501953



Critical dimension:  $\nabla$

Dim.L=(P-1)x7.62+5.62

Dim.B=(P-1)x7.62

P=Number of poles (02-24)

|              | Dim B    | Dim L    |
|--------------|----------|----------|
| 0-30mm       | +/- 0,15 | +/- 0,20 |
| over 30-60mm | +/- 0,20 | +/- 0,25 |
| over 60-90mm | +/- 0,25 | +/- 0,30 |
| over 90mm    | +/- 0,30 | +/- 0,40 |

| Tolerance |          |
|-----------|----------|
| x.        | +/- 0,50 |
| x.x       | +/- 0,30 |
| x.xx      | +/- 0,10 |
| x°        | +/-1°    |

Units:mm

**Technical data**

Technical data in accordance with UL/CUL

|                          | Use Group | B | C     | D |
|--------------------------|-----------|---|-------|---|
| Nominal voltage (V)      | 300       | - | 300   |   |
| Nominal current (A)      | 15        | - | 10    |   |
| Connection capacity(AWG) | 30-12     | - | 30-12 |   |

Technical data in accordance with IEC

|  |                        |
|--|------------------------|
| Rated insulation voltage at pollution degree 2 (V)         | 630                    |
| Rated current/conductor cross-section (A/mm <sup>2</sup> ) | 12 / 2.5               |
| Solid/stranded(mm <sup>2</sup> )                           | 0.2-2.5 / 0.2-2.5      |
| Surge voltage category/pollution degree                    | III / 3 III / 2 II / 2 |
| Rated insulation voltage(V)                                | 400 630 1000           |
| Rated surge voltage(kV)                                    | 6 6 6                  |

General data

|                                 |                          |
|---------------------------------|--------------------------|
| Stripping length(mm)            | 7-8                      |
| Screw thread                    | M3                       |
| Tightening torque(Nm)           | 0.5-0.6                  |
| Insulation Withstanding Voltage | AC1600V / 1min           |
| Insulation Resistance           | 1000MΩ or more at DC500V |
| Using temperature range         | -40°C-115°C              |

Materials

|                           |                  |
|---------------------------|------------------|
| Insulation material group | PA 66 I UL94 -V0 |
| Wire guard                | PhBz, Tin plated |
| Cage                      | Brass, Ni plated |
| Screw                     | Steel, Zn plated |

**Packing information**

| Poles | Order Number    | SPQ |
|-------|-----------------|-----|
| 2     | CAMASD76202x000 | 210 |
| 3     | CAMASD76203x000 | 130 |
| 4     | CAMASD76204x000 | 120 |
| 5     | CAMASD76205x000 | 105 |
| 6     | CAMASD76206x000 | 90  |
| 7     | CAMASD76207x000 | 70  |
| 8     | CAMASD76208x000 | 60  |
| 9     | CAMASD76209x000 | 60  |
| 10    | CAMASD76210x000 | 45  |
| 11    | CAMASD76211x000 | 45  |
| 12    | CAMASD76212x000 | 45  |
| 13    | CAMASD76213x000 | 39  |
| 14    | CAMASD76214x000 | 36  |
| 15    | CAMASD76215x000 | 33  |
| 16    | CAMASD76216x000 | 33  |

**Ordering code**

**CAMA SD 762 xx x xxx**  
① ② ③ ④ ⑤ ⑥

- ① Type
- ② Product style
- ③ Pitch
- ④ Poles (02-24)
- ⑤ Color
- ⑥ Standard 000 or Custom XXX

Color

|          |             |
|----------|-------------|
| 0 Black  | 5 Green     |
| 1 Brown  | 6 Blue      |
| 2 Red    | G Pale grey |
| 3 Orange | 8 Dark grey |
| 4 Yellow | 9 White     |

**Key Commercial data**

|                      |            |
|----------------------|------------|
| Custom tariff number | 8536901000 |
| Country of origin    | CN (China) |

**Mating with headers**

CAHA AV762 Series



CAHA AV762 Series



CAHABH762 Series



CAHABH762 Series

