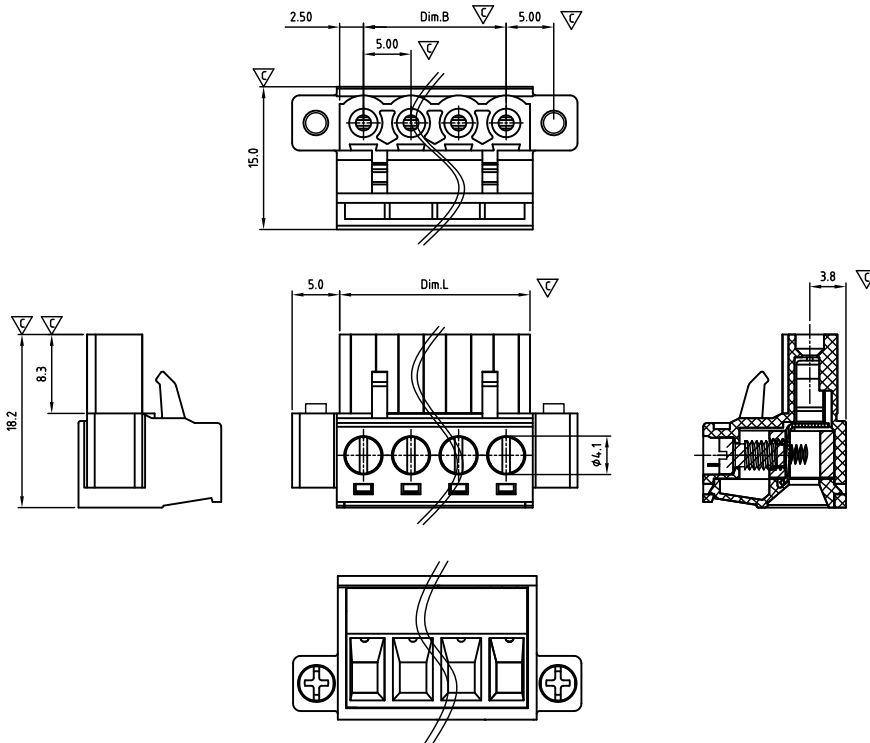


**CAMAFD500-SERIES**

**cULus** E501953



Critical dimension:  $\nabla$

Dim.L=Px5.0

Dim.B=(P-1)x5.0

P=Number of poles (02-24)

	Dim B	Dim L
0-30mm	+/- 0,15	+/- 0,20
over 30-60mm	+/- 0,20	+/- 0,25
over 60-90mm	+/- 0,25	+/- 0,30
over 90mm	+/- 0,30	+/- 0,40

Tolerance	
x.	+/- 0,50
x.x	+/- 0,30
x.xx	+/- 0,10
x°	+/- 1°

Units:mm

**Technical data**

Technical data in accordance with UL/cUL

	Use Group	B	C	D
Nominal voltage (V)		300	-	300
Nominal current (A)		15	-	10
Connection capacity(AWG)		30-12	-	30-12

Technical data in accordance with IEC and VDE

Rated insulation voltage at pollution degree 2 (V)	320		
Rated current/conductor cross-section (A/mm <sup>2</sup> )	12 / 2.5		
Solid/stranded(mm <sup>2</sup> )	0.2-2.5 / 0.2-2.5		
Surge voltage category/pollution degree	III / 3	III / 2	II / 2
Rated insulation voltage(V)	250	320	630
Rated surge voltage(kV)	4	4	4

General data

Stripping length(mm)	7-8
Screw thread	M3
Tightening torque(Nm)	0.5-0.6
Insulation Withstanding Voltage	AC1600V / 1min
Insulation Resistance	1000M $\Omega$ or more at DC500V
Using temperature range	-40°C-115°C

Materials

Insulation material group	PA 66 I UL94 -V0
Wire guard	PhBz, Tin plated
Cage	Brass, Ni plated
Screw	Steel, Zn plated

**Packing information**

Poles	Order Number	SPQ
2	CAMAFD50002x000	250
3	CAMAFD50003x000	200
4	CAMAFD50004x000	150
5	CAMAFD50005x000	110
6	CAMAFD50006x000	95
7	CAMAFD50007x000	70
8	CAMAFD50008x000	70
9	CAMAFD50009x000	70
10	CAMAFD50010x000	65
11	CAMAFD50011x000	60
12	CAMAFD50012x000	50
13	CAMAFD50013x000	50
14	CAMAFD50014x000	45
15	CAMAFD50015x000	45
16	CAMAFD50016x000	45
17	CAMAFD50017x000	40
18	CAMAFD50018x000	35
19	CAMAFD50019x000	30
20	CAMAFD50020x000	30
21	CAMAFD50021x000	30
22	CAMAFD50022x000	30
23	CAMAFD50023x000	20
24	CAMAFD50024x000	20

**Ordering code**

**CAMA FD 500 xx x xxx**

① ② ③ ④ ⑤ ⑥

- ① Type
- ② Product style
- ③ Pitch
- ④ Poles (02-24)
- ⑤ Color
- ⑥ Standard 000 or Custom XXX

Color

0 Black	5 Green
1 Brown	6 Blue
2 Red	G Pale grey
3 Orange	8 Dark grey
4 Yellow	9 White

**Key Commercial data**

Custom tariff number	8536901000
Country of origin	CN (China)

**Mating with headers**

CAHACH500 Series



CAHACV500 Series

