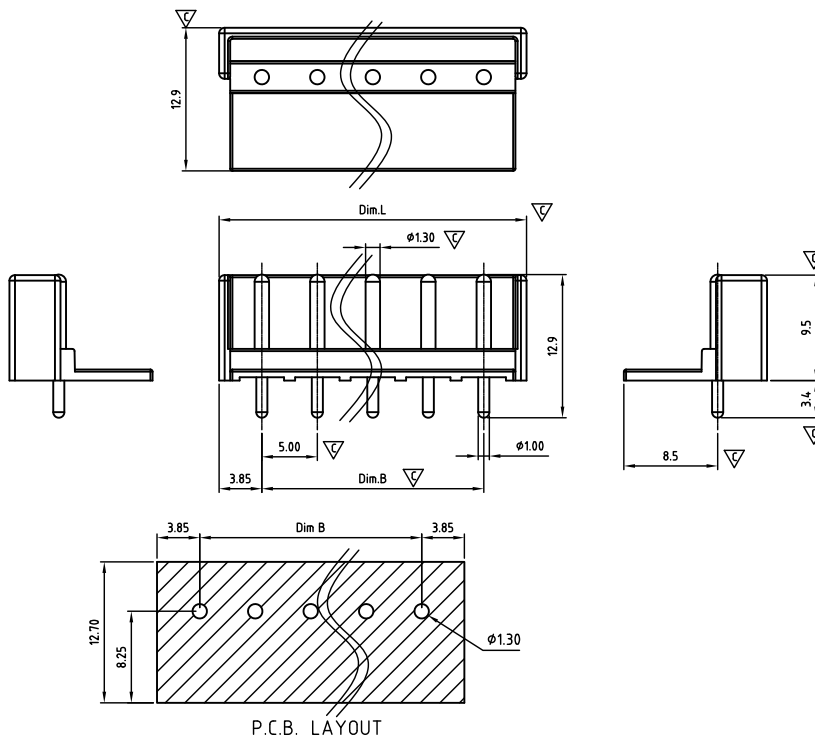


CAGEVA500-SERIES

cULus E501953



Critical dimension: ∇

Dim.L=(P-1)x5.0+7.7

Dim.B=(P-1)x5.0

P=Number of poles (02-24)

	Dim B	Dim L
0-30mm	+/- 0,15	+/- 0,20
over 30-60mm	+/- 0,20	+/- 0,25
over 60-90mm	+/- 0,25	+/- 0,30
over 90mm	+/- 0,30	+/- 0,40

Tolerance	
x.	+/- 0,50
x.x	+/- 0,30
x.xx	+/- 0,10
x°	+/- 1°

Units:mm

Technical data

Technical data in accordance with UL/cUL

	Use Group	B	C	D
Nominal voltage (V)		300	-	300
Nominal current (A)		15	-	10
Connection capacity(AWG)		-	-	-

Technical data in accordance with IEC

Rated insulation voltage at pollution degree 2 (V)		320	
Rated current/conductor cross-section (A/mm ²)		12 / -	
Solid/stranded(mm ²)		-	
Surge voltage category/pollution degree	III / 3	III / 2	II / 2
Rated insulation voltage(V)	250	320	400
Rated surge voltage(kV)	4	4	4

General data

Flange nut thread		-
Flange nut tightening torque(Nm)		-
Insulation Withstanding Voltage		AC 1600 /1min
Insulation Resistance		1000M Ω or more at DC500V
Using temperature range		-40°C-115°C
Soldering temperature		250 \pm 5°C/5s

Materials

Insulation material group		PA 66 I UL94 -V0
PIN		Brass, Tin plated
Flange nut		-
Borehole diameter/pin dimensions(mm)		1.3/ ϕ 1.0

Packing information

Poles	Order Number	SPQ
2	CAGEVA50002x000	420
3	CAGEVA50003x000	400
4	CAGEVA50004x000	400
5	CAGEVA50005x000	250
6	CAGEVA50006x000	250
7	CAGEVA50007x000	200
8	CAGEVA50008x000	200
9	CAGEVA50009x000	160
10	CAGEVA50010x000	160
11	CAGEVA50011x000	95
12	CAGEVA50012x000	80
13	CAGEVA50013x000	55
14	CAGEVA50014x000	55
15	CAGEVA50015x000	55
16	CAGEVA50016x000	55
17	CAGEVA50017x000	55
18	CAGEVA50018x000	55
19	CAGEVA50019x000	55
20	CAGEVA50020x000	45
21	CAGEVA50021x000	45
22	CAGEVA50022x000	45
23	CAGEVA50023x000	45
24	CAGEVA50024x000	45

Ordering code

CAGE VA 500 xx x xxx

① ② ③ ④ ⑤ ⑥

- ① Type
- ② Product style
- ③ Pitch
- ④ Poles (02-24)
- ⑤ Color
- ⑥ Standard 000 or Custom XXX

Color

0 Black	5 Green
1 Brown	6 Blue
2 Red	G Pale grey
3 Orange	8 Dark grey
4 Yellow	9 White

Key Commercial data

Custom tariff number	8536901000
Country of origin	CN (China)

Mating with headers

CANDS0500 Series

