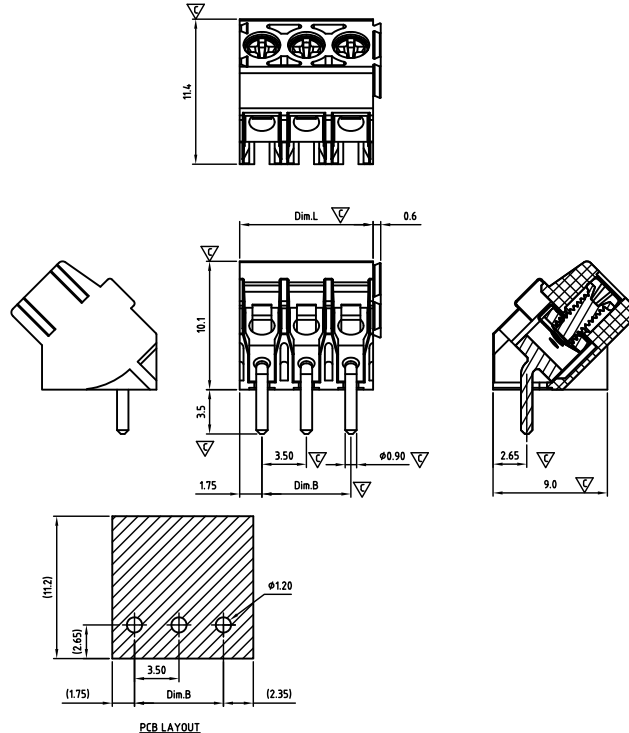




## CADJAS350-SERIES

**cULus** E501953



Critical dimension: ▽

Dim.L=Px3.5

Dim.B=(P-1)x3.5

P=Number of poles (02-24)

	Dim B	Dim L
0-30mm	+/- 0,15	+/- 0,20
over 30-60mm	+/- 0,20	+/- 0,25
over 60-90mm	+/- 0,25	+/- 0,30
over 90mm	+/- 0,30	+/- 0,40

Tolerance	
x.	+/- 0,50
x.x	+/- 0,30
x.xx	+/- 0,10
x°	+/- 1°

Units:mm

### Technical data

Technical data in accordance with UL/cUL

	Use Group	B	C	D
Nominal voltage (V)		300	-	300
Nominal current (A)		10	-	10
Connection capacity(AWG)		26-16	-	26-16

Technical data in accordance with IEC and VDE

Rated insulation voltage at pollution degree 2 (V)	200		
Rated current/conductor cross-section (A/mm <sup>2</sup> )	17,5 / 1.5		
Solid/stranded(mm <sup>2</sup> )	0.14-1.5 / 0.14-1.5		
Surge voltage category/pollution degree	III / 3	III / 2	II / 2
Rated insulation voltage(V)	160	200	400
Rated surge voltage(kV)	2.5	2.5	2.5

General data

Stripping length(mm)	5-6
Screw thread	M2.0
Tightening torque(Nm)	0.20-0.22
Insulation Withstanding Voltage	AC 1600 / 1min
Insulation Resistance	1000MΩ or more at DC500V
Using temperature range	-40°C-115°C

Materials

Insulation material group	PA 66 I UL94 -V0
Wire guard	Stainless steel
Cage	Brass, Sn plated
Screw	Steel, Zn plated

### Packing information

Poles	Order Number	SPQ
2	CADJAS35002x000	1300
3	CADJAS35003x000	900
4	CADJAS35004x000	650
5	CADJAS35005x000	550
6	CADJAS35006x000	450
7	CADJAS35007x000	400
8	CADJAS35008x000	350
9	CADJAS35009x000	300
10	CADJAS35010x000	250
11	CADJAS35011x000	250
12	CADJAS35012x000	200
13	CADJAS35013x000	200
14	CADJAS35014x000	150
15	CADJAS35015x000	150
16	CADJAS35016x000	150
17	CADJAS35017x000	150
18	CADJAS35018x000	150
19	CADJAS35019x000	100
20	CADJAS35020x000	100
21	CADJAS35021x000	100
22	CADJAS35022x000	100
23	CADJAS35023x000	100
24	CADJAS35024x000	100

### Ordering code

**CADJ AS 350 xx x xxx**

① ② ③ ④ ⑤ ⑥

- ① Type
- ② Product style
- ③ Pitch
- ④ Poles (02-24)
- ⑤ Color
- ⑥ Standard 000 or Custom XXX

Color

0 Black	5 Green
1 Brown	6 Blue
2 Red	G Pale grey
3 Orange	8 Dark grey
4 Yellow	9 White

### Key Commercial data

Custom tariff number	8536901100
Country of origin	CN (China)

