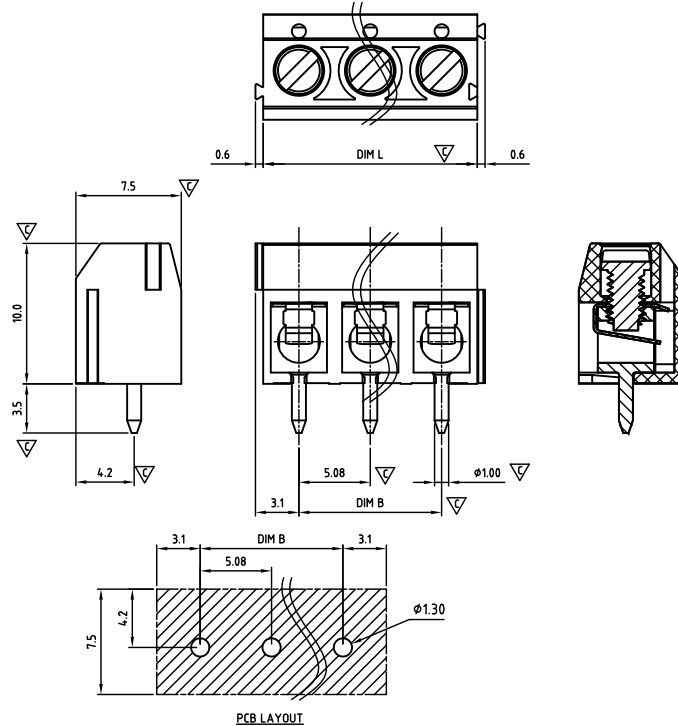


PCB Screw Wire protector System

CADBHM508-SERIES

cULus E501953



Critical dimension: ∇

Dim.L=Px5.08		
Dim.B=(P-1)x5.08		
P=Number of poles (02-24)		
	Dim B	Dim L
0-30mm	+/- 0,15	+/- 0,20
over 30-60mm	+/- 0,20	+/- 0,25
over 60-90mm	+/- 0,25	+/- 0,30
over 90mm	+/- 0,30	+/- 0,40

Tolerance	
x.	+/- 0,50
x.x	+/- 0,30
x.xx	+/- 0,10
x°	+/- 1°
\varnothing	Units:mm

Technical data

Technical data in accordance with UL/CUL

	Use Group	B	C	D
Nominal voltage (V)		300	-	300
Nominal current (A)		15	-	10
Connection capacity(AWG)		22-14	-	22-14

Technical data in accordance with IEC and VDE

Rated insulation voltage at pollution degree 2 (V)	250		
Rated current/conductor cross-section (A/mm ²)	17.5 / 1.5		
Solid/stranded(mm ²)	0.5-2.5 / 0.5-2.5		
Surge voltage category/pollution degree	III / 3	III / 2	II / 2
Rated insulation voltage(V)	250	320	630
Rated surge voltage(kV)	4	4	4

General data

Stripping length(mm)	6-7
Screw thread	M2.6
Tightening torque(Nm)	0.4
Insulation Withstanding Voltage	AC 1600 / 1min
Insulation Resistance	1000M Ω or more at DC500V
Using temperature range	-40°C-115°C

Materials

Insulation material group	PA 66 I UL94 -V0
Wire guard	Stainless steel
Cage	Brass, Sn plated
Screw	Steel, Zn plated

Packing information

Poles	Order Number	SPQ
2	CADBHM50802x000	900
3	CADBHM50803x000	600
4	CADBHM50804x000	450
5	CADBHM50805x000	360
6	CADBHM50806x000	300
7	CADBHM50807x000	240
8	CADBHM50808x000	240
9	CADBHM50809x000	185
10	CADBHM50810x000	165
11	CADBHM50811x000	160
12	CADBHM50812x000	150
13	CADBHM50813x000	150
14	CADBHM50814x000	150
15	CADBHM50815x000	140
16	CADBHM50816x000	140
17	CADBHM50817x000	140
18	CADBHM50818x000	95
19	CADBHM50819x000	90
20	CADBHM50820x000	90
21	CADBHM50821x000	80
22	CADBHM50822x000	75
23	CADBHM50823x000	75
24	CADBHM50824x000	75

Ordering code

CADB HM 508 xx x xxx
① ② ③ ④ ⑤ ⑥

- ① Type
- ② Product style
- ③ Pitch
- ④ Poles (02-24)
- ⑤ Color
- ⑥ Standard 000 or Custom XXX

Color

0 Black	5 Green
1 Brown	6 Blue
2 Red	G Pale grey
3 Orange	8 Dark grey
4 Yellow	9 White

Key Commercial data

Custom tariff number	8536901100
Country of origin	CN (China)

