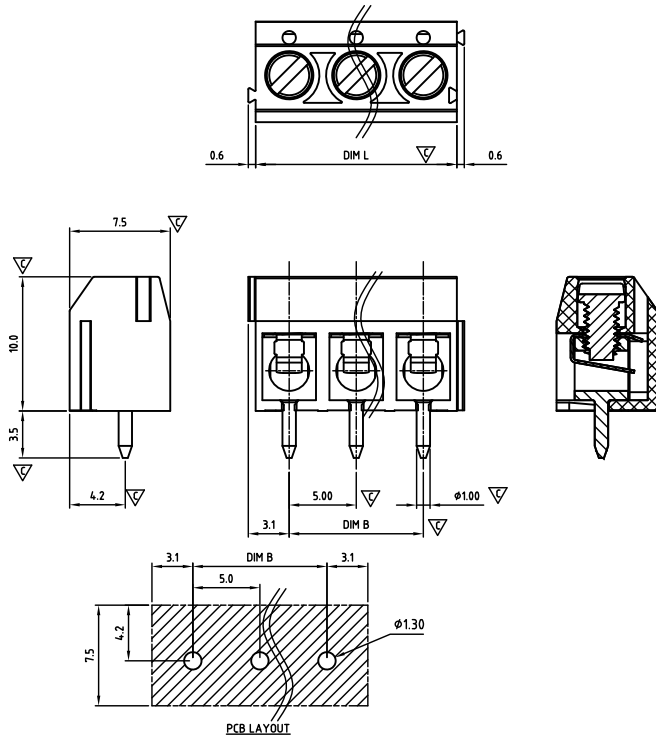


CADBHM500-SERIES

cULus E501953



Critical dimension: ▽

Dim.L=Px5.0

Dim.B=(P-1)x5.0

P=Number of poles (02-24)

	Dim B	Dim L
0-30mm	+/- 0,15	+/- 0,20
over 30-60mm	+/- 0,20	+/- 0,25
over 60-90mm	+/- 0,25	+/- 0,30
over 90mm	+/- 0,30	+/- 0,40

Tolerance	
x.	+/- 0,50
x.x	+/- 0,30
x.xx	+/- 0,10
x°	+/- 1°
Units:mm	

Technical data

Technical data in accordance with UL/cUL

	Use Group	B	C	D
Nominal voltage (V)		300	-	300
Nominal current (A)		15	-	10
Connection capacity(AWG)		26-14	-	26-14

Technical data in accordance with IEC and VDE

Rated insulation voltage at pollution degree 2 (V)	250		
Rated current/conductor cross-section (A/mm ²)	17.5 / 1.5		
Solid/stranded(mm ²)	0.5-2.5 / 0.5-2.5		
Surge voltage category/pollution degree	III / 3	III / 2	II / 2
Rated insulation voltage(V)	250	320	630
Rated surge voltage(kV)	4	4	4

General data

Stripping length(mm)	5-6
Screw thread	M2.6
Tightening torque(Nm)	0.4
Insulation Withstanding Voltage	AC 1600 / 1min
Insulation Resistance	1000MΩ or more at DC500V
Using temperature range	-40°C-115°C

Materials

Insulation material group	PA 66 I UL94 -V0
Wire guard	Stainless steel
Cage	Brass, Sn plated
Screw	Steel, Zn plated

Packing information

Poles	Order Number	SPQ
2	CADBHM50002x000	900
3	CADBHM50003x000	600
4	CADBHM50004x000	450
5	CADBHM50005x000	360
6	CADBHM50006x000	300
7	CADBHM50007x000	240
8	CADBHM50008x000	240
9	CADBHM50009x000	185
10	CADBHM50010x000	165
11	CADBHM50011x000	160
12	CADBHM50012x000	150
13	CADBHM50013x000	150
14	CADBHM50014x000	150
15	CADBHM50015x000	140
16	CADBHM50016x000	140
17	CADBHM50017x000	140
18	CADBHM50018x000	95
19	CADBHM50019x000	90
20	CADBHM50020x000	90
21	CADBHM50021x000	80
22	CADBHM50022x000	75
23	CADBHM50023x000	75
24	CADBHM50024x000	75

Ordering code

CADB HM 500 xx x xxx

① ② ③ ④ ⑤ ⑥

- ① Type
- ② Product style
- ③ Pitch
- ④ Poles (02-24)
- ⑤ Color
- ⑥ Standard 000 or Custom XXX

Color

0 Black	5 Green
1 Brown	6 Blue
2 Red	G Pale grey
3 Orange	8 Dark grey
4 Yellow	9 White

Key Commercial data

Custom tariff number	8536901100
Country of origin	CN (China)

