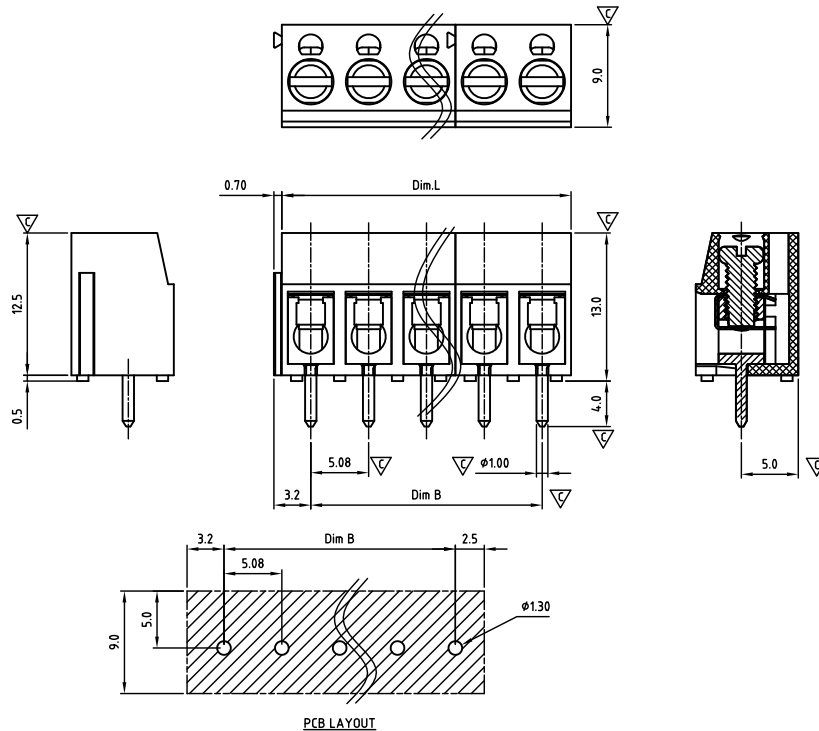


## CADAHM508-SERIES

**cULus** E501953



Critical dimension: ▽

Dim.L=Px5.08		
Dim.B=(P-1)x5.08		
P=Number of poles (02-24)		
	Dim B	Dim L
0-30mm	+/- 0,15	+/- 0,20
over 30-60mm	+/- 0,20	+/- 0,25
over 60-90mm	+/- 0,25	+/- 0,30
over 90mm	+/- 0,30	+/- 0,40

Tolerance	
x.	+/- 0,50
x.x	+/- 0,30
x.xx	+/- 0,10
x°	+/- 1°
Units:mm	

### Technical data

Technical data in accordance with UL/CUL

	Use Group	B	C	D
Nominal voltage (V)		300	-	300
Nominal current (A)		16	-	10
Connection capacity(AWG)		26-14	-	26-14

Technical data in accordance with IEC and VDE

Rated insulation voltage at pollution degree 2 (V)	250		
Rated current/conductor cross-section (A/mm <sup>2</sup> )	17.5 / 1.5		
Solid/stranded(mm <sup>2</sup> )	0.5-2.5 / 0.5-2.5		
Surge voltage category/pollution degree	III / 3	III / 2	II / 2
Rated insulation voltage(V)	250	320	630
Rated surge voltage(kV)	4	4	4

General data

Stripping length(mm)	6-7
Screw thread	M3.0
Tightening torque(Nm)	0.4
Insulation Withstanding Voltage	Ac1600 / 1min
Insulation Resistance	1000MΩ or more at DC500V
Using temperature range	-40°C-115°C

Materials

Insulation material group	PA 66 I UL94 -V0
Wire guard	Stainless steel
Cage	Brass, Sn plated
Screw	Steel, Zn plated

### Packing information

Poles	Order Number	SPQ
2	CADAHM50802x000	650
3	CADAHM50803x000	400
4	CADAHM50804x000	300
5	CADAHM50805x000	250
6	CADAHM50806x000	250
7	CADAHM50807x000	240
8	CADAHM50808x000	150
9	CADAHM50809x000	150
10	CADAHM50810x000	110
11	CADAHM50811x000	100
12	CADAHM50812x000	100
13	CADAHM50813x000	90
14	CADAHM50814x000	90
15	CADAHM50815x000	80
16	CADAHM50816x000	80
17	CADAHM50817x000	80
18	CADAHM50818x000	80
19	CADAHM50819x000	70
20	CADAHM50820x000	65
21	CADAHM50821x000	60
22	CADAHM50822x000	60
23	CADAHM50823x000	60
24	CADAHM50824x000	60

### Ordering code

CADA HM 508 xx x xxx

① ② ③ ④ ⑤ ⑥

- ① Type
- ② Product style
- ③ Pitch
- ④ Poles (02-24)
- ⑤ Color
- ⑥ Standard 000 or Custom XXX

Color

0 Black	5 Green
1 Brown	6 Blue
2 Red	G Pale grey
3 Orange	8 Dark grey
4 Yellow	9 White

### Key Commercial data

Custom tariff number	8536901100
Country of origin	CN (China)

