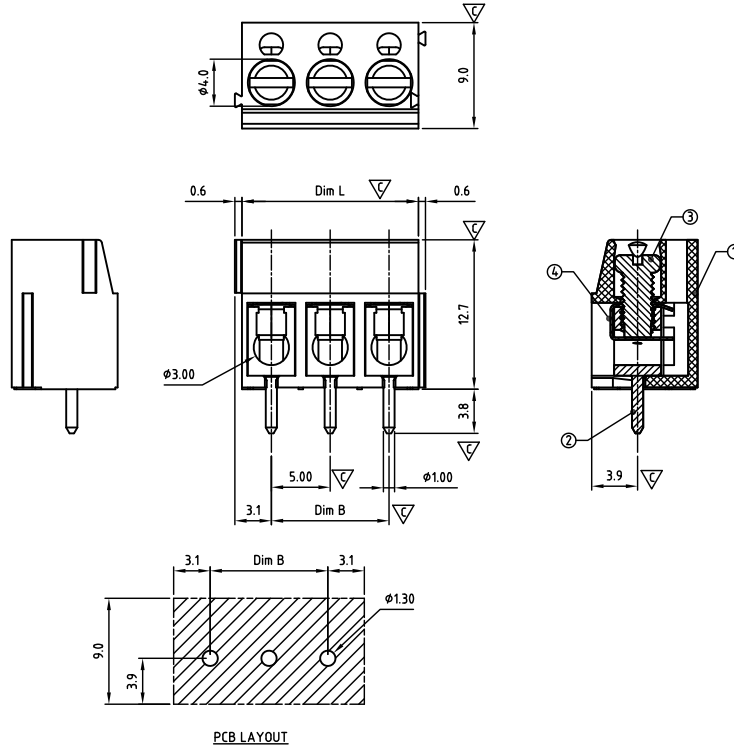


CADAHM500-SERIES

cULus E501953



Critical dimension: ∇

Dim.L=Px5.0		
Dim.B=(P-1)x5.0		
P=Number of poles (02-24)		
	Dim B	Dim L
0-30mm	+/- 0,15	+/- 0,20
over 30-60mm	+/- 0,20	+/- 0,25
over 60-90mm	+/- 0,25	+/- 0,30
over 90mm	+/- 0,30	+/- 0,40

Tolerance	
x.	+/- 0,50
x.x	+/- 0,30
x.xx	+/- 0,10
x°	+/-1°
\varnothing	Units:mm

PCB LAYOUT

Technical data

Technical data in accordance with UL/cUL

	Use Group	B	C	D
Nominal voltage (V)		300	-	300
Nominal current (A)		16	-	10
Connection capacity (AWG)		26-14	-	26-14

Technical data in accordance with IEC and VDE

Rated insulation voltage at pollution degree 2 (V)	250		
Rated current/conductor cross-section (A/mm ²)	17.5 / 1.5		
Solid/stranded(mm ²)	0.5-2.5 / 0.5-2.5		
Surge voltage category/pollution degree	III / 3	III / 2	II / 2
Rated insulation voltage(V)	250	320	630
Rated surge voltage(kV)	4	4	4

General data

Stripping length(mm)	6-7
Screw thread	M3.0
Tightening torque(Nm)	0.4
Insulation Withstanding Voltage	AC 1600 / 1min
Insulation Resistance	1000M Ω or more at DC500V
Using temperature range	-40°C-115°C

Materials

Insulation material group	PA 66 I UL94 -V0
Wire guard	Stainless steel
Cage	Brass, Sn plated
Screw	Steel, Zn plated

Packing information

Poles	Order Number	SPQ
2	CADAHM50002x000	650
3	CADAHM50003x000	400
4	CADAHM50004x000	300
5	CADAHM50005x000	250
6	CADAHM50006x000	250
7	CADAHM50007x000	240
8	CADAHM50008x000	150
9	CADAHM50009x000	150
10	CADAHM50010x000	110
11	CADAHM50011x000	100
12	CADAHM50012x000	100
13	CADAHM50013x000	90
14	CADAHM50014x000	90
15	CADAHM50015x000	80
16	CADAHM50016x000	80
17	CADAHM50017x000	80
18	CADAHM50018x000	80
19	CADAHM50019x000	70
20	CADAHM50020x000	65
21	CADAHM50021x000	60
22	CADAHM50022x000	60
23	CADAHM50023x000	60
24	CADAHM50024x000	60

Ordering code

CADA HM 500 xx x xxx

① ② ③ ④ ⑤ ⑥

- ① Type
- ② Product style
- ③ Pitch
- ④ Poles (02-24)
- ⑤ Color
- ⑥ Standard 000 or Custom XXX

Color

0 Black	5 Green
1 Brown	6 Blue
2 Red	G Pale grey
3 Orange	8 Dark grey
4 Yellow	9 White

Key Commercial data

Custom tariff number	8536901100
Country of origin	CN (China)

